

C-Lube Linear Way MV

MV



Long term maintenance free compliant!

The aquamarine end plate is the symbol of maintenance free.

Track rail

Slide unit

Casing

C-Lube

Ball

End plate

End seal

Ball retaining band

Grease nipple

MV30

Points

1 Ultimate ball type linear motion rolling guide pursuing extra low profile and extra light weight

For details ▶ P.I-19

A linear motion rolling guide with extra low profile and extra light weight, achieved only because of the simple mechanism of two-row four-point contact structure.

2 High load capacity

Despite its extra low profile and extra light weight, it has the maximum load rating among the ball types and contributes to long life and increases safety of machine or device.

3 Long term maintenance free For details ▶ P.I-11

The built-in "C-Lube", the capillary lubricating element, in the ball circulation paths of the slide unit makes it long term maintenance free.

Lubrication oil is continuously supplied to the surface of rolling elements by surface tension in the contact of the capillary lubricating element surface and rolling elements.

4 Ball retained type for easy operation

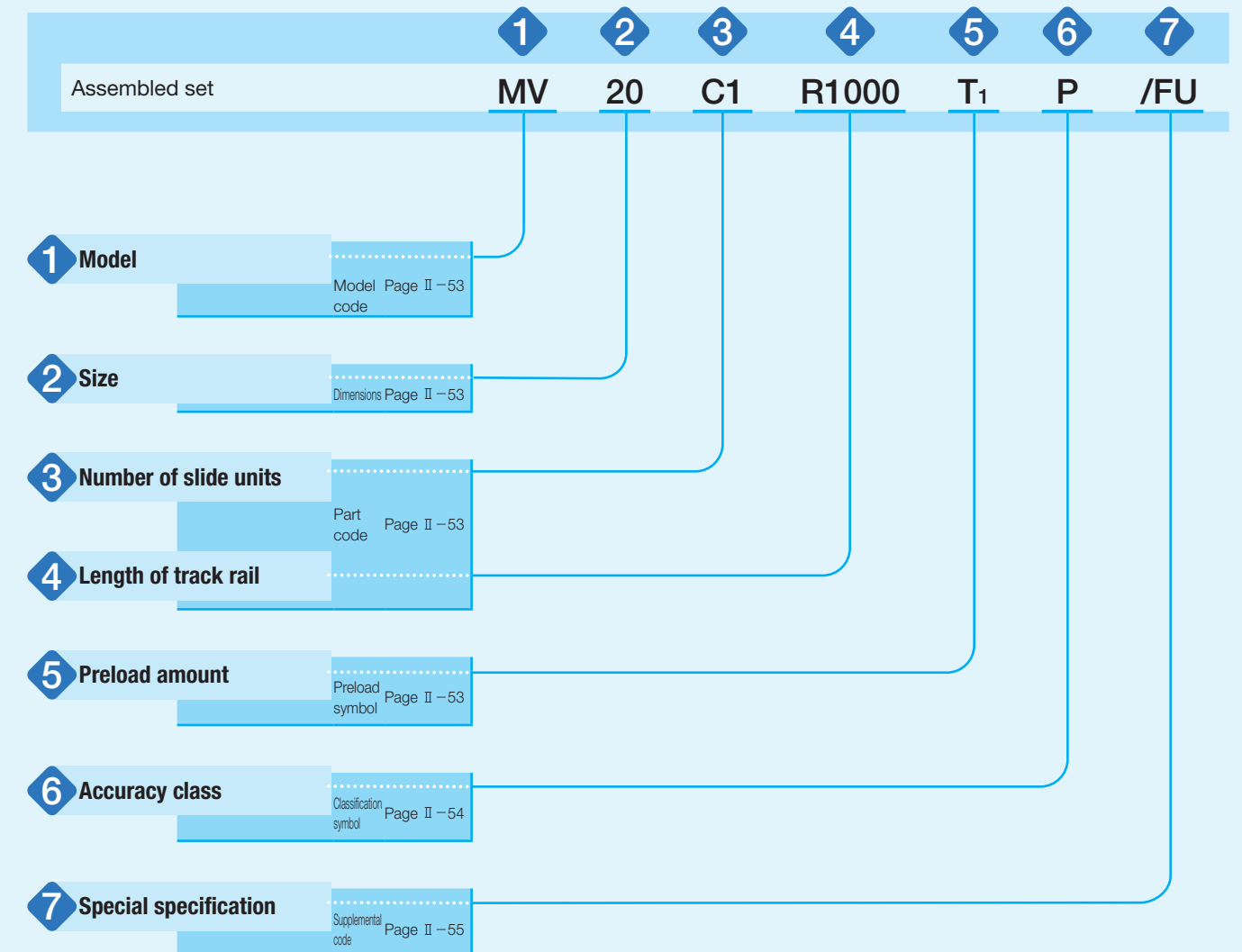
The slide unit incorporates the ball retaining band, which prevents the ball from dropping down when the slide unit is removed from the track rail. This safety structure brings you an easy operation to the machines/equipment.

Designation of Identification Number and Specification

Example of an Identification Number

The specifications of the MV series are indicated by the identification number.

Indicate the identification number, consisting of a model code, dimensions, a part code, a preload symbol, a classification symbol, and any supplemental codes for each specification to apply.



Identification Number and Specification – Model · Size · Number of Slide Unit · Length of Track Rail · Preload amount –

| | |
|--------------------------------|---|
| 1 Model | C-Lube Linear Way MV : MV (MV series) |
| 2 Size | 20, 25, 30 |
| 3 Number of slide units | : C○ Indicates the number of slide units assembled on a track rail. |
| 4 Length of track rail | : R○ Indicate the length of track rail in mm. For standard and maximum lengths, see Table 1. |

Table 1 Standard and maximum lengths of track rail

| Item | MV 20 | MV 25 | MV 30 |
|---|--|--|--|
| Standard length L (n) | 220 (4) 280 (5) 340 (6) 460 (8) 640 (11) 820 (14) 1 000 (17) 1 240 (21) | 220 (4) 280 (5) 340 (6) 460 (8) 640 (11) 820 (14) 1 000 (17) 1 240 (21) 1 600 (27) | 280 (4) 440 (6) 600 (8) 760 (10) 1 000 (13) 1 240 (16) 1 640 (21) 2 040 (26) 2 520 (32) 3 000 (38) |
| Pitch of mounting holes F | 60 | 60 | 80 |
| E | 20 | 20 | 20 |
| Standard E or higher dimensions below | 8 38 | 9 39 | 9 49 |
| Maximum length ⁽¹⁾ | 2 200 (2 980) | 2 980 | 3 000 |

unit: mm

Note ⁽¹⁾ Length up to the value in () can be produced. If needed, please contact IKO.
Remark: If not directed, E dimensions for both ends will be the same within the range of E reference dimensions. To change the dimensions, indicate the specified rail mounting hole positions "/ E " of special specification. For more information, see page III-30.

| | |
|-------------------------|--|
| 5 Preload amount | Clearance : T _c For details of the preload amount, see Table 2. Standard : No symbol Light preload : T ₁ |
|-------------------------|--|

Table 2 Preload amount

| Preload type | Preload symbol | Preload amount N | Operational conditions |
|---------------|----------------|--------------------|---|
| Clearance | T _c | 0 ⁽¹⁾ | <ul style="list-style-type: none"> Very light motion To absorb slight errors |
| Standard | (No symbol) | 0 ⁽²⁾ | <ul style="list-style-type: none"> Light and precise motion |
| Light preload | T ₁ | 0.02C ₀ | <ul style="list-style-type: none"> Almost no vibrations Load is evenly balanced Light and precise motion |

Notes ⁽¹⁾ Clearance of about 10 μm
⁽²⁾ Indicates zero or minimal amount of preload.
Remark: C₀ indicates the basic static load rating.

– Accuracy Class –

| | |
|-------------------------|--|
| 6 Accuracy class | Ordinary : No symbol For details of accuracy class, see Table 3. High : H For applicable combinations of accuracy class and preload amount, see Table 4. Precision : P Super precision : SP |
|-------------------------|--|

Table 3 Tolerance and allowance

| Class (Classification symbol) | Ordinary (No symbol) | High (H) | Precision (P) | Super precision (SP) |
|---|----------------------|----------|---------------|----------------------|
| Dim. H tolerance | ±0.080 | ±0.040 | ±0.020 | ±0.010 |
| Dim. N tolerance | ±0.100 | ±0.050 | ±0.025 | ±0.015 |
| Dim. variation of H ⁽¹⁾ | 0.025 | 0.015 | 0.007 | 0.005 |
| Dim. variation of N ⁽¹⁾ | 0.030 | 0.020 | 0.010 | 0.007 |
| Parallelism in operation of the slide unit C surface to A surface | See Fig. 1. | | | |
| Parallelism in operation of the slide unit D surface to B surface | See Fig. 1. | | | |

unit: mm

Note ⁽¹⁾ It means the size variation between slide units mounted on the same track rail.

Table 4 Combination of accuracy class and preload

| Item (preload symbol) | Ordinary (No symbol) | High (H) | Precision (P) | Super precision (SP) |
|---------------------------------|----------------------|----------|---------------|----------------------|
| Clearance (T _c) | ○ | — | — | — |
| Standard (no symbol) | ○ | ○ | ○ | ○ |
| Light preload (T ₁) | — | ○ | ○ | ○ |

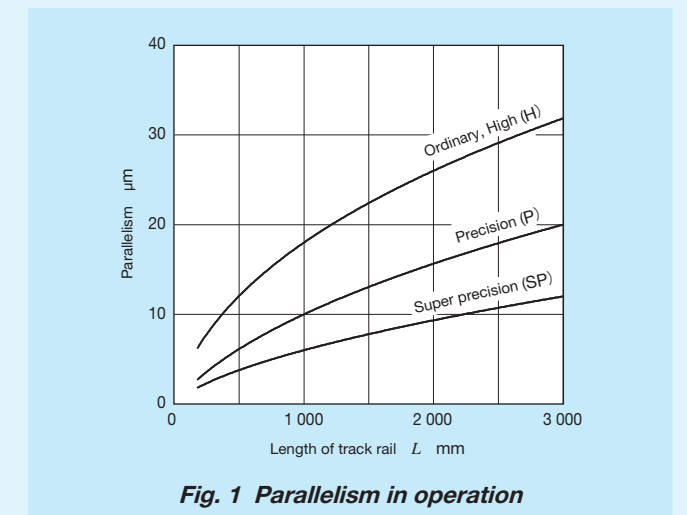


Fig. 1 Parallelism in operation

7 Special specification

/A, /D, /E, /F, /I, /LO, /LFO, /MA, /N, /U, /VO, /WO, /YCG, /ZO

For applicable special specifications, see Table 5.
For combination of multiple special specifications, see Table 6.
For details of special specifications, see page III – 29.

Table 5 Application of special specifications

| Special specification | Supplemental code |
|--|-------------------|
| Butt-jointing track rails | /A |
| Opposite reference surfaces arrangement | /D |
| Specified rail mounting hole positions | /E |
| Caps for rail mounting holes | /F |
| Inspection sheet | /I |
| Black chrome surface treatment | /LO |
| Fluorine black chrome surface treatment | /LFO |
| With track rail mounting bolt | /MA |
| No seal | /N |
| Under seal | /U |
| Double seals | /VO |
| A group of multiple assembled sets | /WO |
| Specified grease (IKO Low Dust-Generation Grease for Clean Environment CG2) | /YCG |
| Scraper | /ZO |

Table 6 Combination of supplemental codes

| | | | | | | | | | | | | | | | | | | | | |
|-----|---|---|---|---|---|---|----|----|---|---|---|---|-----|---|---|---|--|--|--|--|
| D | ○ | | | | | | | | | | | | | | | | | | | |
| E | — | — | | | | | | | | | | | | | | | | | | |
| F | ○ | ○ | ○ | | | | | | | | | | | | | | | | | |
| I | ○ | ○ | ○ | ○ | | | | | | | | | | | | | | | | |
| L | ○ | ○ | ○ | ○ | ○ | | | | | | | | | | | | | | | |
| LF | ○ | ○ | ○ | ○ | ○ | ○ | — | | | | | | | | | | | | | |
| MA | ○ | ○ | ○ | ○ | ○ | ○ | ○ | ○ | | | | | | | | | | | | |
| N | ○ | ○ | ○ | ○ | — | ○ | ○ | ○ | ○ | | | | | | | | | | | |
| U | ○ | ○ | ○ | ○ | ○ | ○ | ○ | ○ | ○ | ○ | — | | | | | | | | | |
| V | ○ | ○ | ○ | ○ | ○ | ○ | ○ | ○ | ○ | ○ | ○ | ○ | — | | | | | | | |
| W | ○ | ○ | — | ○ | ○ | ○ | ○ | ○ | ○ | ○ | ○ | ○ | ○ | ○ | | | | | | |
| YCG | ○ | ○ | ○ | ○ | ○ | ○ | ○ | ○ | ○ | ○ | ○ | ○ | ○ | ○ | ○ | | | | | |
| Z | ○ | ○ | ○ | ○ | ○ | ○ | ○ | ○ | ○ | ○ | ○ | — | ○ | ○ | ○ | ○ | | | | |
| | A | D | E | F | I | L | LF | MA | N | U | V | W | YCG | Z | | | | | | |

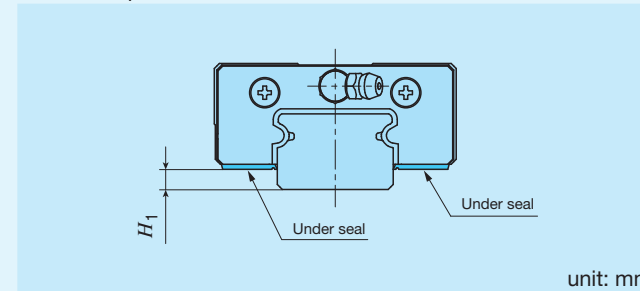
Remarks: 1. The combination of "—" shown in the table is not available.
2. When using multiple types for combination, please indicate by arranging the symbols in alphabetical order.

Table 7 Track rail mounting bolt size (Supplemental code /MA)

| Size | Bolt size for track rail |
|------|--------------------------|
| 20 | M5×14 |
| 25 | M6×20 |
| 30 | M6×20 |

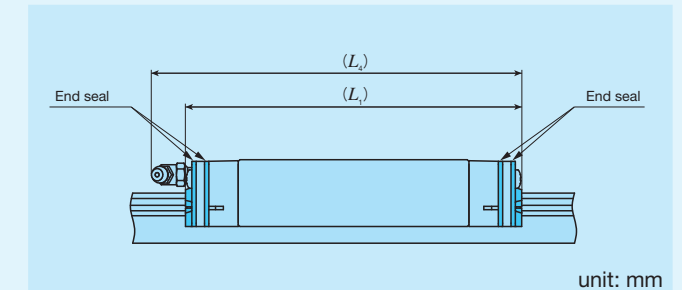
Remark: Hexagon socket head bolts equivalent to JIS B 1176.

Table 8 H_1 dimension with under seal (Supplemental code: /U)



| Size | H_1 |
|------|-------|
| 20 | 4 |
| 25 | 4 |
| 30 | 4.5 |

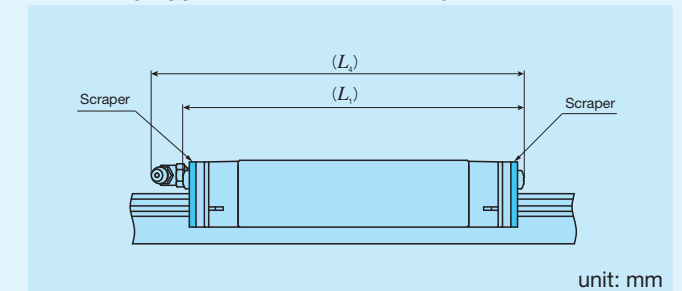
Table 9 Dimension of slide unit with double end seals (Supplemental code /V /VV)



| Size | L_1 | L_2 |
|------|-------|-------|
| 20 | 81 | 83 |
| 25 | 101 | 111 |
| 30 | 125 | 141 |

Remark: The dimensions of the slide unit with double end seals at both ends are indicated.

Table 10 Dimension of slide unit with scrapers (Supplemental code: /Z /ZZ)



| Size | L_1 | L_2 |
|------|-------|-------|
| 20 | 82 | 84 |
| 25 | 103 | 112 |
| 30 | 127 | 142 |

Remark: The dimensions of the slide unit with scraper at both ends are indicated.

Lubrication

Lithium-soap base grease with extreme-pressure additive (Alvania EP grease 2 [SHOWA SHELL SEKIYU K. K.]) is pre-packed in MV series. Additionally, MV series has C-Lube placed in the recirculation part of balls, so that the interval for reapplying lubricant can be extended and maintenance works such as grease job can be reduced significantly.

MV series has grease nipple as indicated in Table 11. Supply nozzles fit to each shapes of grease nipple are also available. When these parts are desired, see Tables 14.1 and 14.2 on page III-23 and Table 15 on page III-24 to order.

Table 11 Parts for lubrication

| Size | Grease nipple type (*) | Applicable supply nozzle type | Bolt size of female threads for piping |
|------|------------------------|------------------------------------|--|
| 20 | A-M3 | A-5120V A-5240V B-5120V B-5240V | — |
| 25 | B-M4 | A-8120V B-8120V | M4 |
| 30 | B-M6 | Grease gun available on the market | M6 |

Note (*) For grease nipple specification, see Table 14.1 and 14.2 on page III-23.
Remark: Stainless steel grease nipple is also available. If needed, please contact IKO.

Dust Protection

The slide units of MV series are equipped with end seals as standard for dust protection. However, if large amount of contaminant or dust are floating, or if large particles of foreign substances such as chips or sand may adhere to the track rail, it is recommended to cover the whole unit with bellows or telescope type shield, etc.

It is also effective to apply special specifications such as caps for rail mounting holes, under seal, double end seals and scrapers according to the use environment.

Precaution for Use

1 Mounting surface, reference mounting surface and typical mounting structure

When mounting the MV series, properly align the reference mounting surface B and D of the track rail and slide unit with the reference mounting surface of the table and bed and fix them. (See Fig.2)

The reference mounting surfaces B and D and mounting surfaces A and C are precisely ground. Machining the mounting surface of the table and bed, such as machine or device, to high accuracy and mounting them properly will ensure stable linear motion with high accuracy.

Reference mounting surface of the slide unit is the opposite side of the IKO mark. The track rail reference mounting surface is identified by locating the IKO mark on the top surface of the track rail. It is the side surface above the mark (in the direction of the arrow). (See Fig.3)

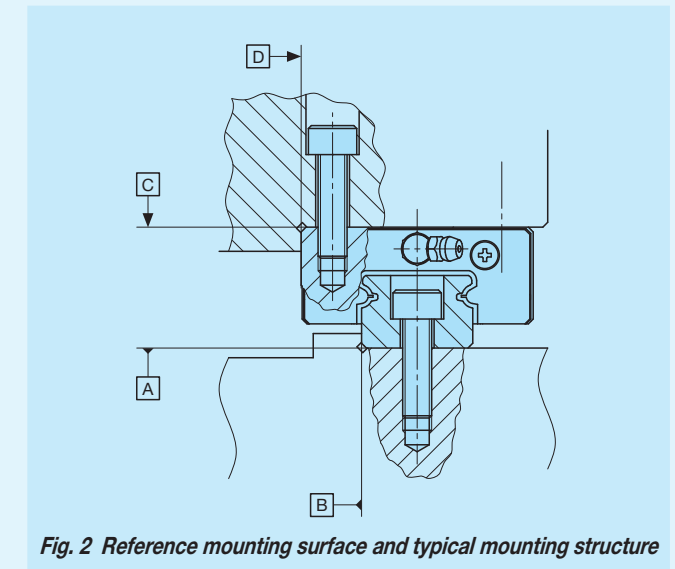


Fig. 2 Reference mounting surface and typical mounting structure

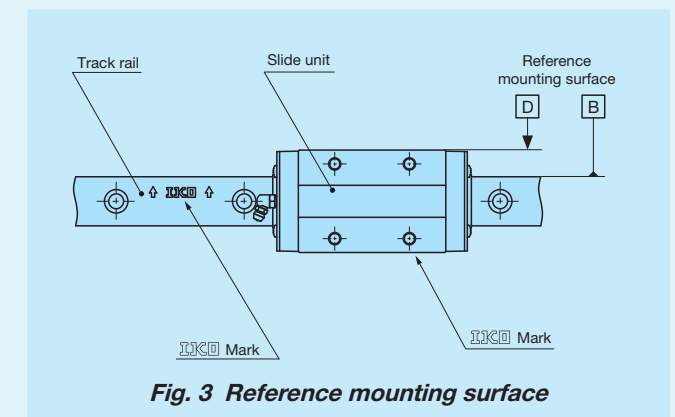


Fig. 3 Reference mounting surface

2 Shoulder height and corner radius of the reference mounting surface

For the opposite corner of the mating reference mounting, it is recommended to have relieved fillet as indicated in Fig.4. Recommended value for the shoulder height and corner radius on the mating side is indicated in Table 12.

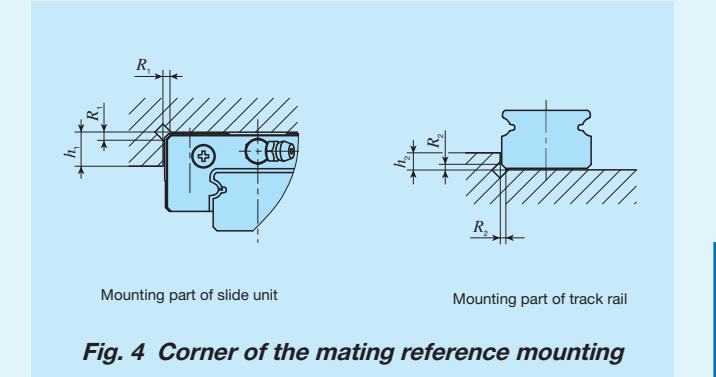


Fig. 4 Corner of the mating reference mounting

Table 12 Shoulder height and corner radius of the reference mounting surface

| Size | Mounting part of slide unit | | Mounting part of track rail | |
|------|-----------------------------|-------------------------------|-----------------------------|-------------------------------|
| | Shoulder height h_1 | Corner radius R_1 (maximum) | Shoulder height h_2 | Corner radius R_2 (maximum) |
| 20 | 5 | 0.2 | 3 | 0.5 |
| 25 | 5 | 0.5 | 3 | 0.5 |
| 30 | 5 | 0.5 | 3 | 0.5 |

3 Tightening torque for fixing screw

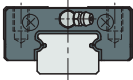
Typical tightening torque for mounting of the MV series to the steel mating member material is indicated in Table 13. When vibration and shock of the machine or device are large, fluctuating load is large, or moment load is applied, fix it by using the torque 1.2 to 1.5 times larger than the value indicated in the table as necessary. If the mating member material is cast iron or aluminum alloy, reduce the tightening torque depending on the strength characteristics of the mating member material.

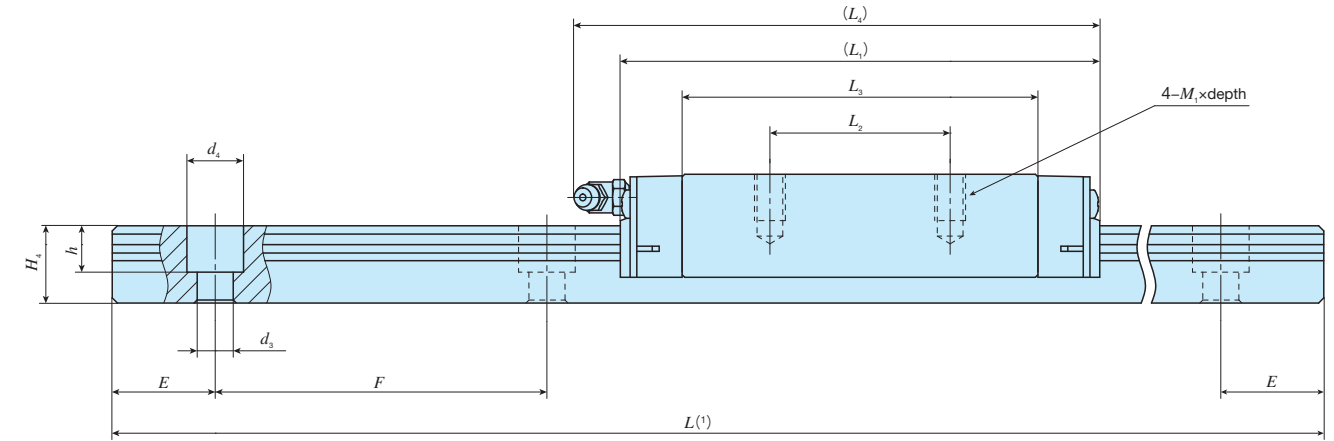
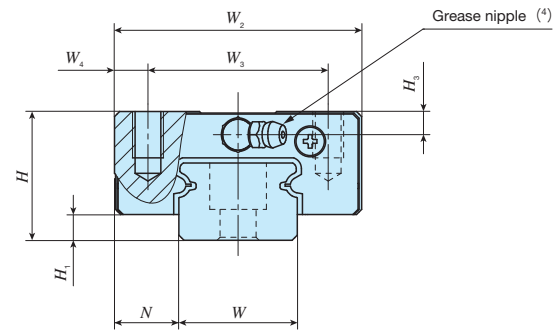
Table 13 Tightening torque for fixing screw

| Bolt size | Tightening torque N · m | |
|-----------|------------------------------|----------------------------|
| | High carbon steel-made screw | Stainless steel-made screw |
| M5×0.8 | 8.0 | 5.0 |
| M6×1 | 13.6 | 8.5 |
| M8×1.25 | 32.7 | 20.4 |

Remark: The tightening torque is calculated based on strength division 12.9 and property division A2-70.



| Standard type | | | |
|---------------|---|----|----|
| Shape | MV | | |
| |  | | |
| Size | 20 | 25 | 30 |



| Identification number | Mass (Ref.) | | Dimensions of assembly mm | | | Dimensions of slide unit mm | | | | | | | | | Dimensions of track rail mm | | | | | | | Appended mounting bolt for track rail (2) mm Bolt size × ℓ | Basic dynamic load rating (3) C N | Basic static load rating (3) C ₀ N | Static moment rating (3) | | |
|-----------------------|---------------|-----------------|---------------------------|----------------|------|-----------------------------|----------------|----------------|----------------|----------------|----------------|----------------|------------------------|----------------|-----------------------------|----------------|----------------|----------------|-----|----|----|---|--------------------------------------|--|--------------------------|-------------------------|-------------------------|
| | Slide unit kg | Track rail kg/m | H | H ₁ | N | W ₂ | W ₃ | W ₄ | L ₁ | L ₂ | L ₃ | L ₄ | M ₁ × depth | H ₃ | W | H ₄ | d ₃ | d ₄ | h | E | F | | | | T ₀ N · m | T _x N · m | T _y N · m |
| MV 20 | 0.18 | 1.66 | 20 | 5 | 11 | 42 | 32 | 5 | 73 | 32 | 51.2 | 76 | M5×6 | 3.5 | 20 | 12 | 6 | 9.5 | 8.5 | 20 | 60 | M5×14 | 19 600 | 25 600 | 138 | 115 624 | 102 555 |
| MV 25 | 0.36 | 2.37 | 25 | 5 | 12.5 | 48 | 35 | 6.5 | 94 | 35 | 69.1 | 103 | M6×9 | 4.5 | 23 | 15 | 7 | 11 | 9 | 20 | 60 | M6×20 | 31 900 | 42 500 | 264 | 260 1 320 | 230 1 170 |
| MV 30 | 0.72 | 3.33 | 30 | 6 | 16 | 60 | 40 | 10 | 116 | 40 | 86.6 | 126 | M8×11 | 5 | 28 | 17 | 7 | 11 | 9 | 20 | 80 | M6×20 | 46 300 | 61 800 | 468 | 467 2 350 | 414 2 090 |

Notes (1) Track rail lengths L are shown in Table 1 on page II-53.
 (2) Track rail mounting bolts are not appended. Hexagon socket head bolts of JIS B 1176 with strength division 12.9 are recommended.
 (3) The direction of basic dynamic load rating (C), basic static load rating (C_0), and static moment rating (T_0 , T_x , T_y) are shown in the sketches below. The upper values of T_x and T_y are for one slide unit and the lower values are for two slide units in close contact.
 (4) For specifications of grease nipple, see Table 11 on page II-57.

MV

Example of identification number of assembled set

Model code: **MV** Dimensions: **25** Part code: **C2** Preload symbol: **R1000** Classification symbol: **T₁** Supplemental code: **SP** **/FU**

① Model
MV C-Lube Linear Way MV

② Size
20, 25, 30

③ Number of slide units (2)

④ Length of Track Rail (1000mm)

| ⑤ Preload amount | |
|------------------|---------------|
| T _c | Clearance |
| No symbol | Standard |
| T ₁ | Light preload |

| ⑥ Accuracy class | |
|------------------|-----------------|
| No symbol | Ordinary |
| H | High |
| P | Precision |
| SP | Super precision |

⑦ Special specification
A, D, E, F, I, L, LF, MA, N, U, V, W, YCG, Z

