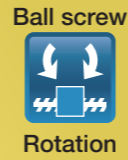


**AT**

**AT**

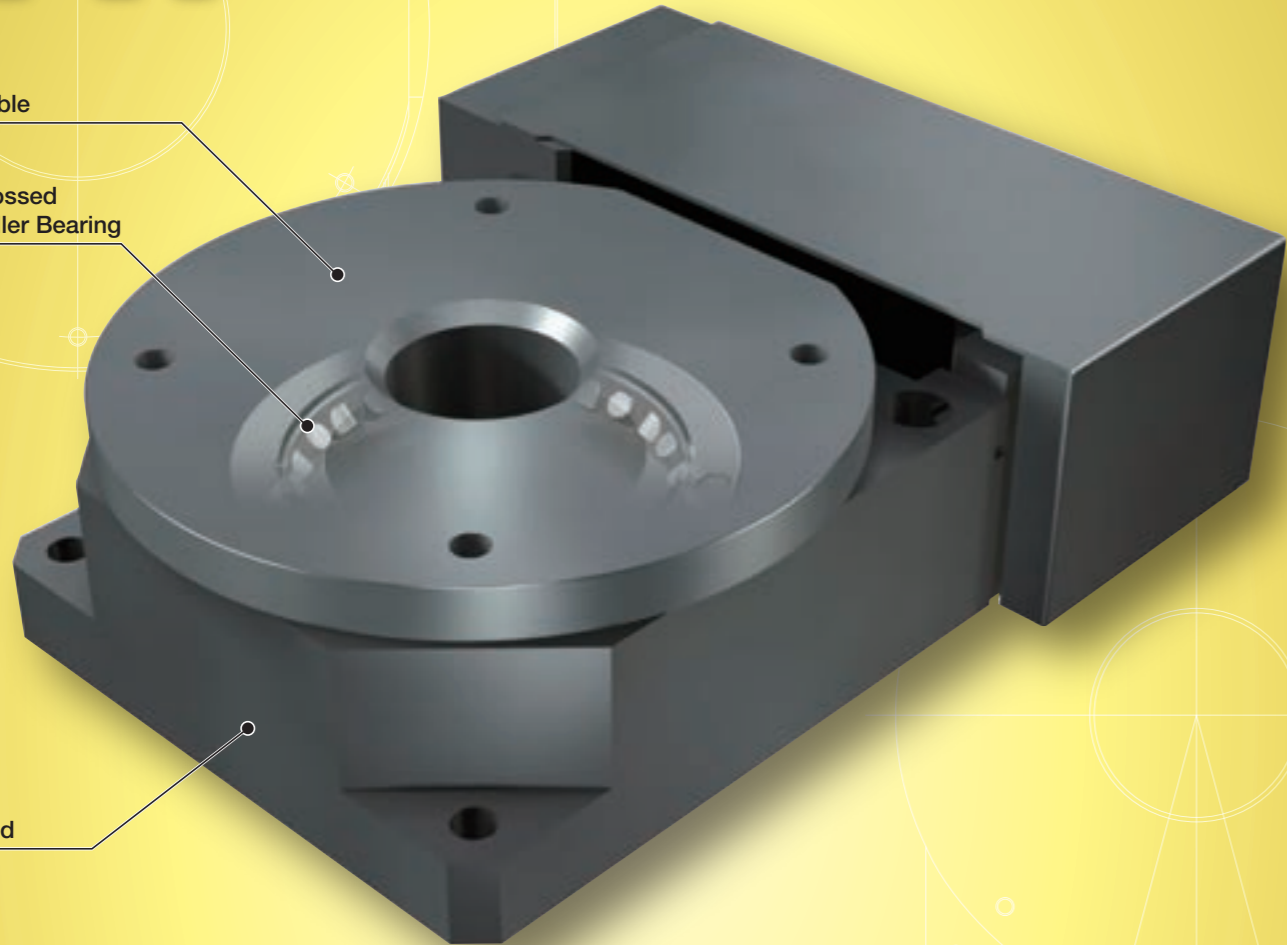
AT



Table

Crossed Roller Bearing

Bed



Major product specifications

Driving method	Precision ball screw
Linear motion rolling guide and bearing	Linear Way (ball type) Crossed Roller Bearing
Built-in lubrication part	No built-in
Material of table and bed	High carbon steel
Sensor	Provided as standard

Accuracy

Positioning repeatability	±1
Positioning accuracy	-
Lost motion	-
Parallelism in table motion A	-
Parallelism in table motion B	-
Attitude accuracy	-
Straightness	-
Backlash	-

unit: sec

# Points

## ● Rotary positioning table for converting linear motion to rotary motion

1 This is a positioning table that allows precise angle correction by converting the linear motion to the rotational motion through the rotator mechanism combining the Linear Way and ball screws. High rigidity steel-made table and bed are used and a Crossed Roller Bearing is incorporated in the bearing supporting the table.

## ● Low profile design with high rigidity

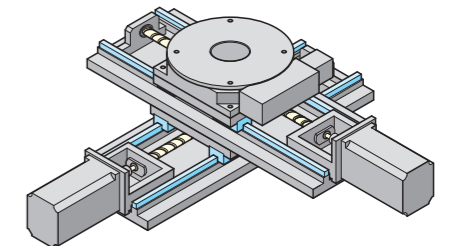
2 Adoption of Crossed Roller Bearing capable of exerting high rigidity in all direction has achieved low profile, high rigidity, and high precision.

## ● Positioning repeatability of ±1 sec

3 A rotator for converting linear motion to rotary motion is accurately guided by the combination of Linear Way L and precision ball screw, thus achieving the high positioning repeatability of ±1 sec.

## ● Available as multi-axis configured alignment table

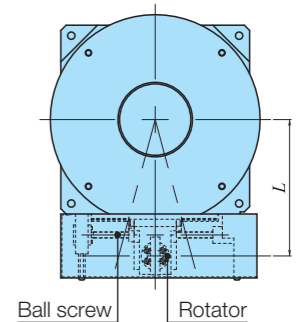
4 Placing this unit on the slide table of Precision Positioning Table LH enables the configuration of low height XY-θ multi-axis positioning mechanism.



Example of multi-axis configuration using Alignment Table AT

### Driving mechanism of Alignment Table AT

Alignment Table AT is driven by stroking a rotator linked to table's outer periphery by driving of ball screw in a linear direction. In order to adjust the distance L and angle from the center of table varied by rotator movement, linear and rotary motion mechanism that follows according to the table angle is incorporated in the rotator. Therefore, in Alignment Table, even when moving the rotator at a same pitch, the table's rotation angle tends to vary depending on the position, so that even when moving it at a constant speed, the rotation speed does not stay constant.



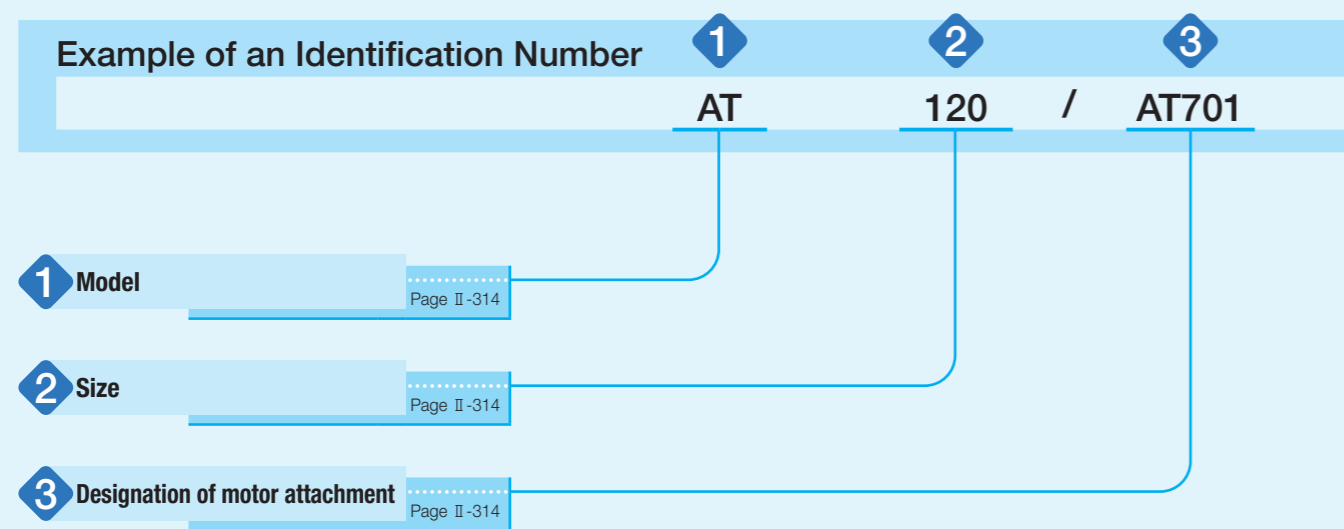
Distance from the center of table *L* unit: mm

Identification number	<i>L</i>
AT120	100
AT200	130
AT300	186

### Variation

Shape	Model and size	Table diameter (mm)	Operating angle range (degree)
	AT120	120	± 5
	AT200	200	
	AT300	300	±10

# Identification Number



# Identification Number and Specification

<b>1</b> Model	AT: Alignment Table AT
<b>2</b> Size	120: Table diameter 120mm 200: Table diameter 200mm 300: Table diameter 300mm
<b>3</b> Designation of motor attachment	As for a motor attachment, select it from the list of Table 1.  <ul style="list-style-type: none"> <li>Motor should be prepared by customer.</li> <li>Please specify motor attachment applicable to motor for use.</li> <li>A coupling shown in Table 2 is temporarily fixed in the main body before shipment, so that final position adjustment should be performed by customer.</li> </ul>

**Table 1 Application of motor attachment**

Type	Models of motor to be used				Flange size mm	Motor attachment	
	Manufacturer	Series	Model	Rated output W		AT120 AT200	AT300
AC servo motor	YASKAWA ELECTRIC CORPORATION	Σ-V	SGMJV-A5A	50	□40	AT701	-
			SGMAV-A5A			AT701	-
			SGMJV-01A	100		AT701	AT702
			SGMAV-01A			AT701	AT702
	Mitsubishi Electric Corporation	J4	HG-MR053	50	□40	AT701	-
			HG-KR053			AT701	-
			HG-MR13	100		AT701	AT702
			HG-KR13			AT701	AT702
	Panasonic Corporation	MINAS A5	MSMD5A	50	□38	AT703	-
			MSME5A			AT703	-
			MSMD01	100		AT703	AT704
			MSME01			AT703	AT704
Hitachi Industrial Equipment Systems Co., Ltd	AD	ADMA-R5L	50	□40	AT701	-	
		ADMA-01L	100		AT701	AT702	
Stepper motor	ORIENTAL MOTOR Co., Ltd.	α step	ARM46	-	□42	AT705	-
			ARM66	-	□60	-	AT706
			ARM69	-	□60	-	AT706
		CRK	CRK54	-	□42	AT707	-
			CRK56 <sup>(1)</sup>	-	□60	-	AT708

Note (1) Applicable to the outer diameter  $\phi 8$  of motor output shaft.  
Remark: For detailed motor specifications, please see respective motor manufacturer's catalog.

**Table 2 Coupling models**

Motor attachment	Coupling models	Manufacturer	Coupling inertia $J_c$ $\times 10^{-5} \text{kg} \cdot \text{m}^2$
AT701	MSTS-16-5×8	Nabeya Bi-tech Kaisha	0.084
AT702	UA-25C-8×8	Sakai Manufacturing Co., Ltd	0.290
AT703	MSTS-16-5×8	Nabeya Bi-tech Kaisha	0.084
AT704	UA-25C-8×8	Sakai Manufacturing Co., Ltd	0.290
AT705	MSTS-16-5×6	Nabeya Bi-tech Kaisha	0.084
AT706	MSTS-25C-8×10	Nabeya Bi-tech Kaisha	0.71
AT707	MSTS-16-5×5	Nabeya Bi-tech Kaisha	0.084
AT708	MSTS-25C-8×8	Nabeya Bi-tech Kaisha	0.71

Remark: For detailed coupling specifications, please see respective manufacturer's catalog.

# Specifications

**Table 3 Specifications of ball screw**

unit: mm

Model and size	Shaft dia.	Overall length
AT120	6	103.5
AT200	6	103.5
AT300	10	183

**Table 4 Specification**

Item	Ball screw lead mm	Rotator resolution $\mu\text{m}$	Operating angle range degree	Positioning repeatability sec.	Table inertia $J_T \times 10^{-5} \text{kg} \cdot \text{m}^2$	Starting torque $T_s \text{N} \cdot \text{m}$
AT120	1	1 <sup>(1)</sup>	$\pm 5$	$\pm 1$	0.012	0.03
AT200					0.014	0.03
AT300	2	2 <sup>(1)</sup>	$\pm 10$		0.18	0.04

Note <sup>(1)</sup> This is a value given when fraction sizes of the motor are 1,000 pulses/rev.

**Table 5 Maximum carrying mass**

unit: kg

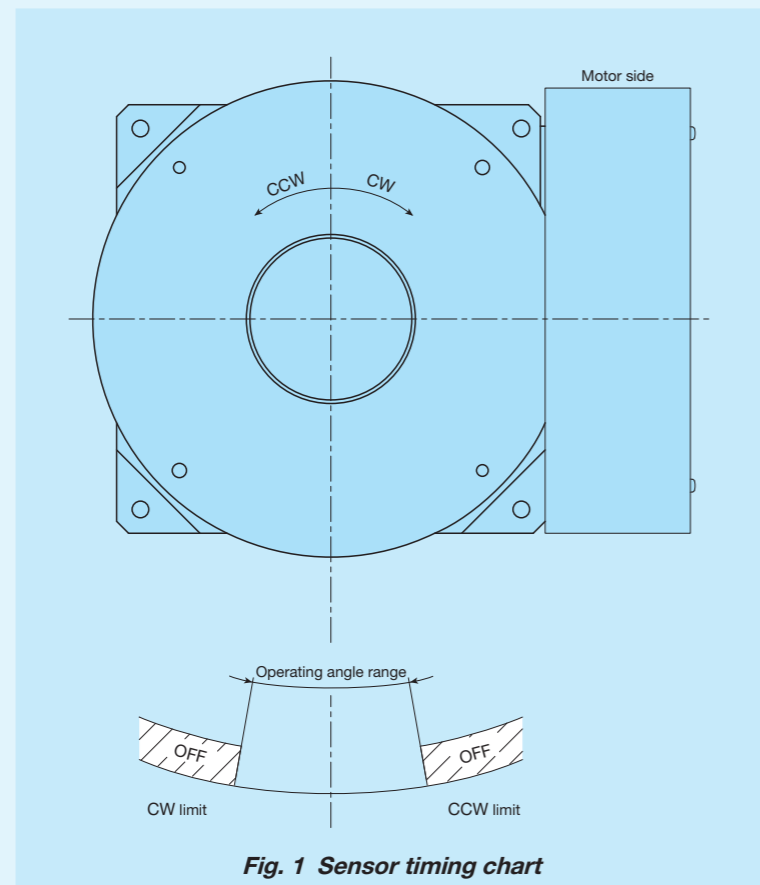
Model and size	Maximum carrying mass
AT120	22
AT200	12
AT300	44

Remark: Applicable in both the horizontal and vertical directions.

# Mounting

For the processing accuracy of the Precision Positioning Table mounting surface and the tightening torque of the fixing screws, see page III -29.

# Sensor specification



**Fig. 1 Sensor timing chart**

# Example of Combination

## Configuration of XY- $\theta$ multi-axis positioning mechanism

Combining the Alignment Table AT with IKO precision positioning table of single-axis specification or multi-axis specification enables you to easily configure the XY- $\theta$  multi-axis positioning mechanism. Low assembling height, compactness, and high-precision positioning capability enable the table to be used as alignment table for precision measuring equipment, inspection equipment, and assembling device.

**Table 6 Configuration example of multi-axis positioning mechanism**

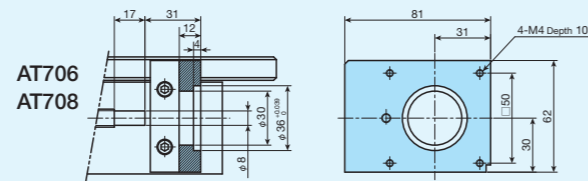
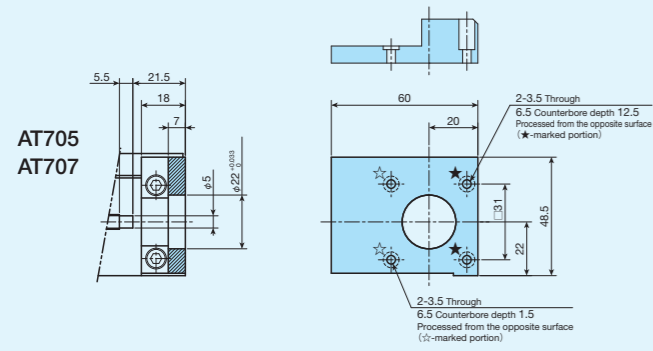
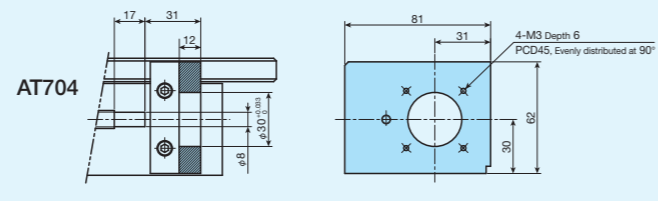
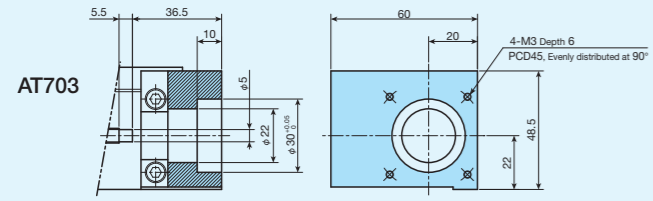
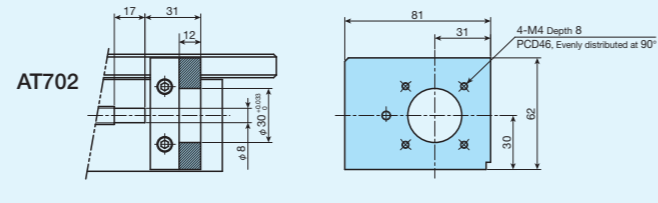
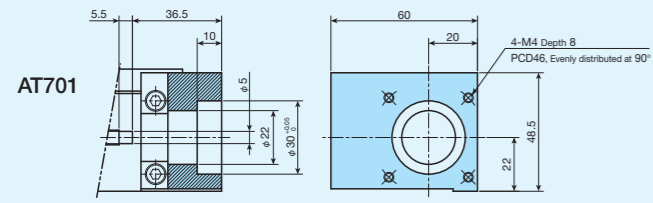
unit: mm

Appearance of multi-axis positioning mechanism	Models of IKO precision positioning tables combined with Alignment Table AT		Stroke length					
			X-axis	Y-axis				
	Precision Positioning Table TS/CT	Single-axis specification	TS125/125	50				
			TS125/220	120				
			TS220/220	120				
			TS220/310	180				
			TS260/350	250				
	Precision Positioning Table TS/CT	Two-axis specification	CT125/125	50	50			
			CT220/220	120	120			
			CT260/350	150	250			
			CT350/350	250	250			
	Precision Positioning Table LH	Single-axis specification	TSLH120M	100, 150, 200, 250, 300				
			TSLH220M	150, 200, 250, 300, 400				
			TSLH320M	300, 400, 500				
			TSLH420M	500, 600, 800				
				Precision Positioning Table LH	Two-axis specification	CTLH120M	100	100
						CTLH120M	200	100
						CTLH120M	200	200
						CTLH120M	300	200
						CTLH120M	300	300
						CTLH220M	200	200
CTLH220M	300	200						
CTLH220M	300	300						
CTLH220M	400	300						
CTLH320M	300	300						
CTLH320M	400	300						
CTLH320M	400	400						
CTLH320M	500	400						
CTLH320M	500	500						

# Dimensions of Motor Attachment

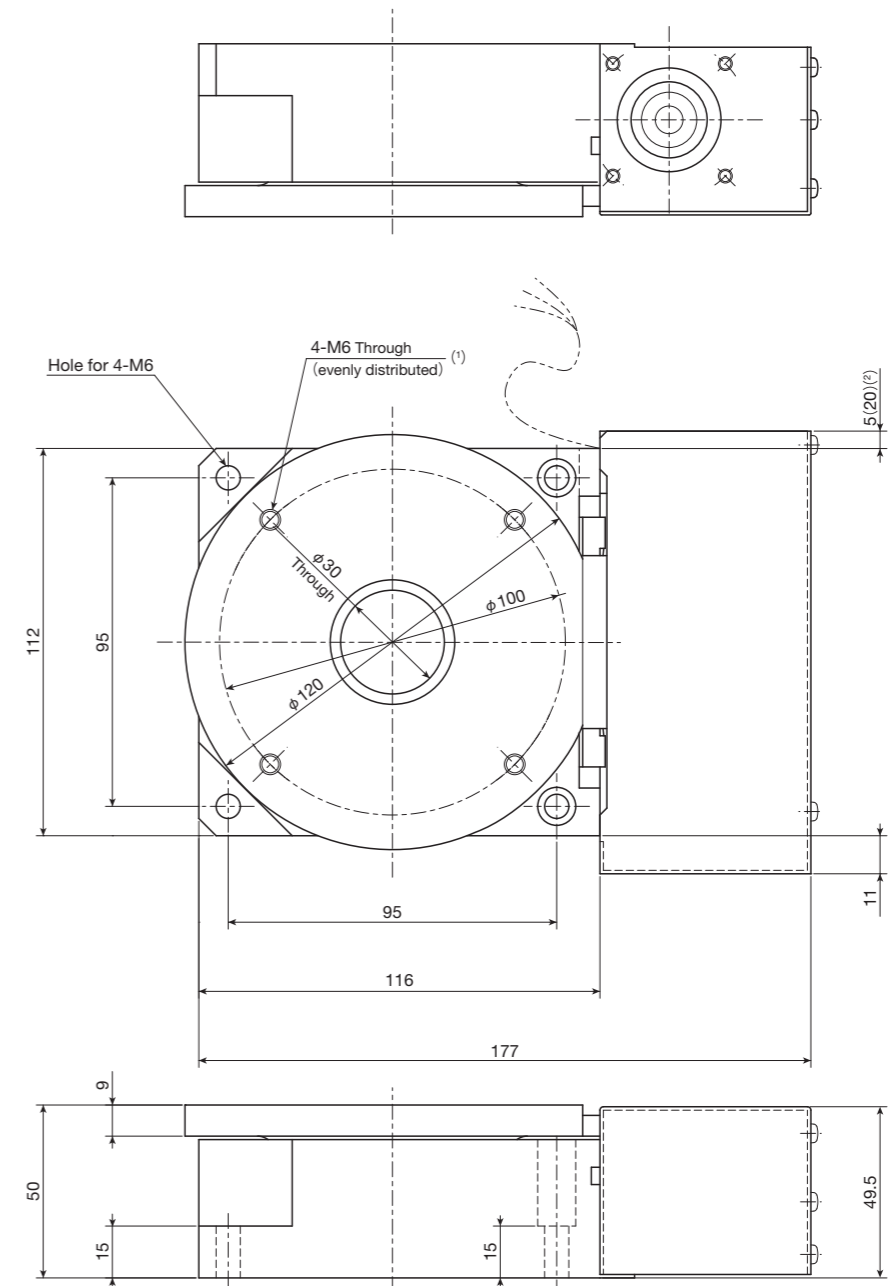
## AT120, AT200

## AT300



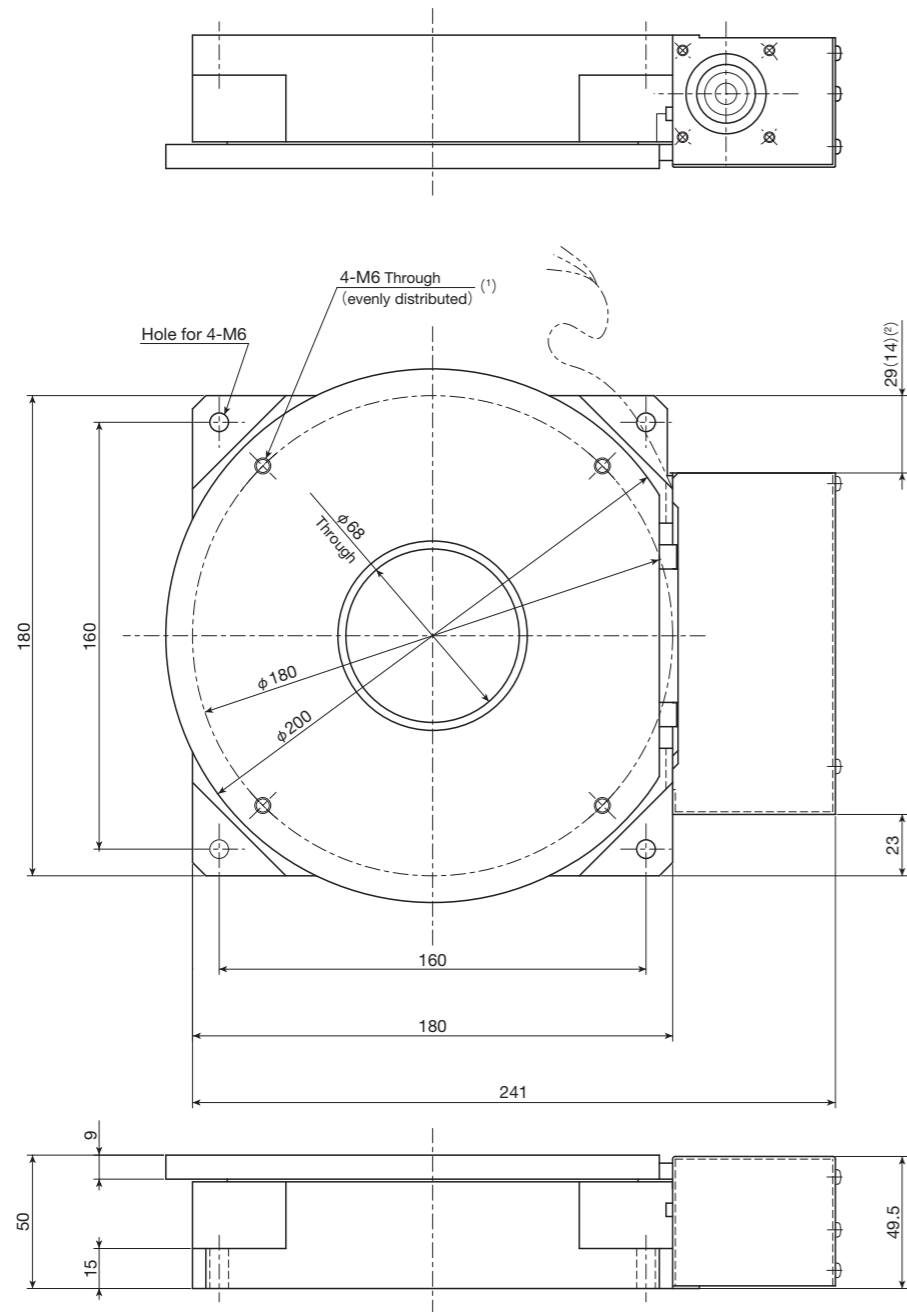
# IKO Alignment Table AT

## AT120



mass: 4.4kg

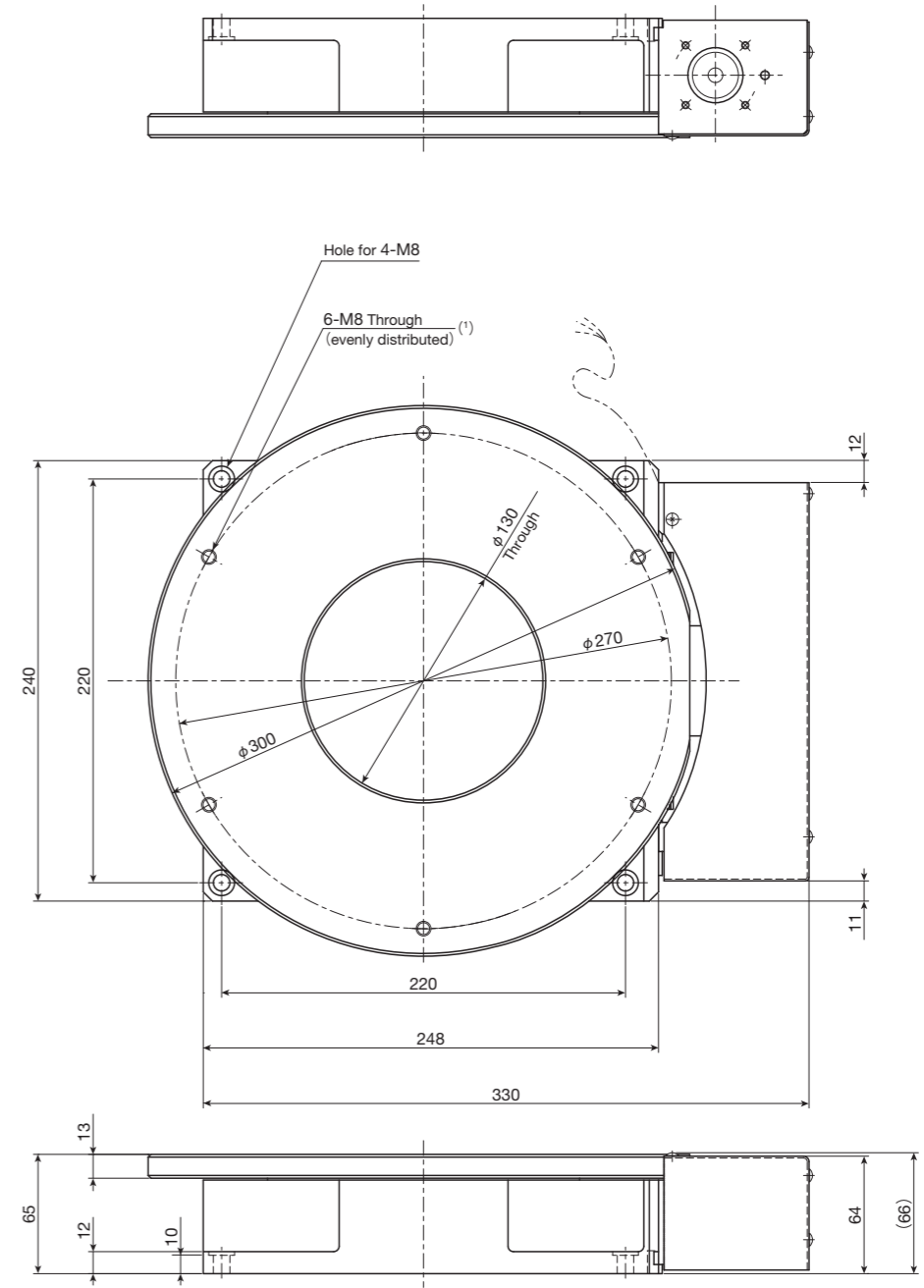
- Notes (1) Too deep insertion depth of the mounting bolt may affect the rotation performance of the table, so never insert a bolt longer than the depth of the through hole.  
 (2) The dimension in ( ) is applicable to AT701 and AT703.



mass: 9.9kg

Notes <sup>(1)</sup> Too deep insertion depth of the mounting bolt may affect the rotation performance of the table, so never insert a bolt longer than the depth of the through hole.

<sup>(2)</sup> The dimension in ( ) is applicable to AT701 and AT703.



mass: 21.0kg

Note <sup>(1)</sup> Too deep insertion depth of the mounting bolt may affect the rotation performance of the table, so never insert a bolt longer than the depth of the through hole.